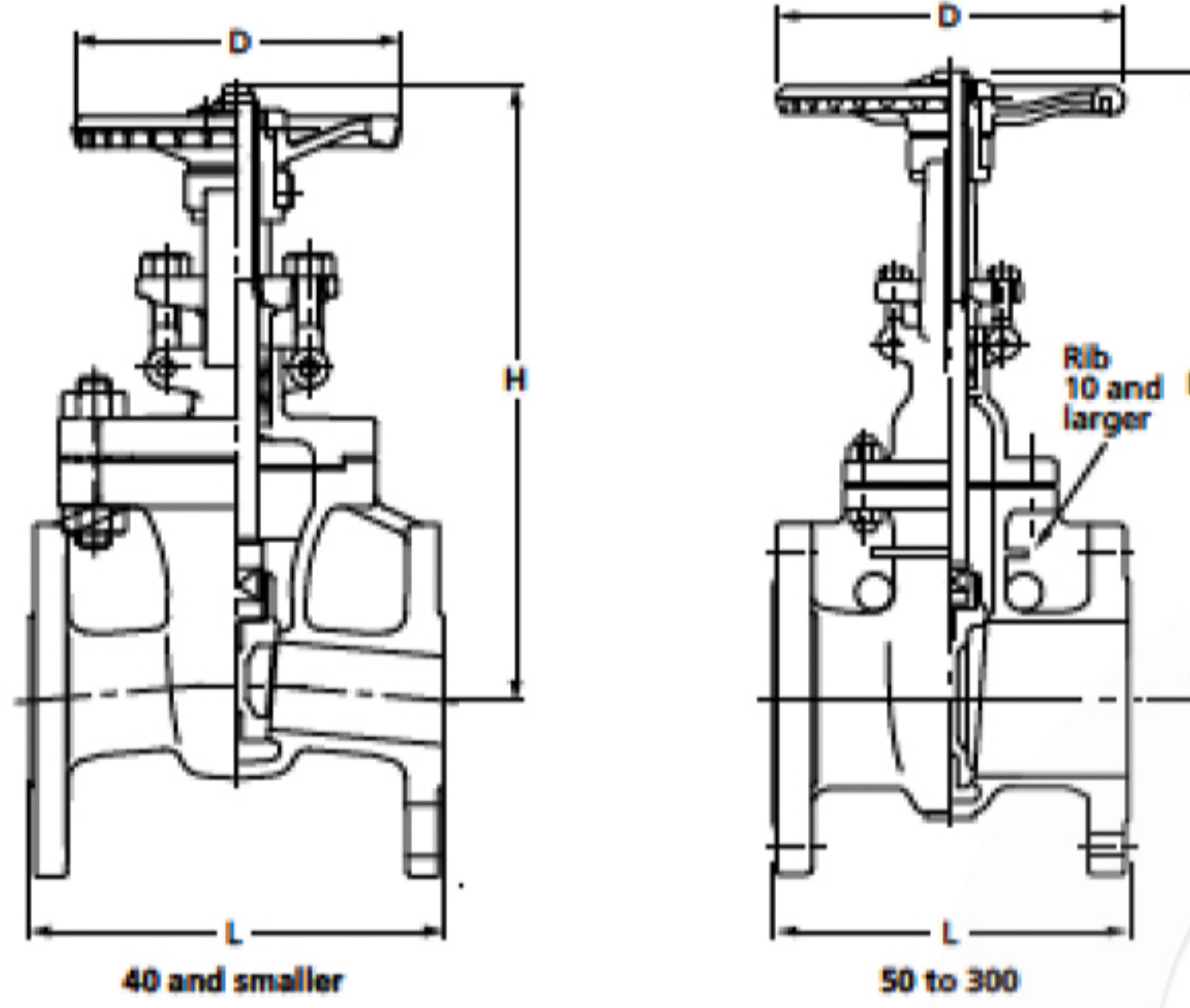


10K

GATE VALVE

Pressure-Temperature Rating: JIS B2220

10UMA(T)



Materials

Parts	10UMA(T)*	10UMAM(T)*
Body	SCS13A	SCS14A
Bonnet	SCS13A	SCS14A
Stem	SUS304	SUS316
Disc	SCS13A	SCS14A
Gland	SUS304	SUS316
Gland flange	SCS13A	
Gland packing	Refer to Page 10	
Gasket	Refer to Page 10	
Yoke sleeve	Ductile Ni-resist	
Yoke**	FCD-5	
Handwheel	FCD400-15	
Gland bolt/nut	SUS304/304	
Bonnet bolt/nut	SUS304/304	
Grease nipple***	SUS303	
Name plate	A1050P	

\*(T) Suffixing stands for the provision of ceramic filled PTFE gaskets

\*\*Yoke is separated from bonnet for 250 and larger.

\*\*\*For size 250 and larger

Note: • Body seats and/or disc seats can be optionally hard-faced.

• Flexible wedge for all sizes

Items	
Face to face dimensions	ASME B16.10 Class 150
End flange dimensions	JIS B2220 10K
Wall thickness	ASME B16.34 Class 150

Nominal Size		1/2	3/4	1	1 1/4	1 1/2	2	2 1/2	3	4	5	6	8	10	12	14	16	18	20	24
		15	20	25	32	40	50	65	80	100	125	150	200	250	300	350	400	450	500	600
L	in.	4.25	4.61	5.00	5.51	6.50	7.01	7.48	7.99	9.02	10.0	10.5	11.5	13.0	14.0	15.00	16.00	17.00	18.00	20.00
	mm	108	117	127	140	165	178	190	203	229	254	267	292	330	356	381	406	432	457	508
H (open)	in.	7.91	8.31	8.82	9.45	11.2	13.2	14.7	17.5	20.6	23.9	28.0	36.4	44.3	52.6	58.50	66.54	74.41	82.68	96.85
	mm	201	211	224	240	284	336	374	444	523	606	711	924	1126	1336	1486	1690	1890	2100	2460
D	in.	3.54	3.54	3.94	3.94	5.51	6.30	7.09	7.87	8.86	9.84	9.84	11.8	13.8	15.8	17.72	23.62	23.62	26.77	29.92
	mm	90	90	100	100	140	160	180	200	225	250	250	300	350	400	450	600	600	680	760